



GM

Operator Manual



WASHTECH[®]
PROFESSIONAL WASH SYSTEMS



WARNING

Before installation and commissioning, you must read the safety instructions and warnings carefully and all the warning labels attached to the equipment.



IMPORTANT

Failure to comply (even partially) with the instructions given in this manual will invalidate the product warranty and relieves the manufacturer of any responsibility



IMPORTANT

The alteration of machine operation, design or the replacement of parts not approved by the manufacturer may void warranties and approvals.



IMPORTANT

This machine is intended for commercial use only.

CONTENTS

Safety Instructions.....	3
Installation.....	4
Installation Diagram.....	5
Operating Instructions.....	6
User Programming.....	7
Troubleshooting.....	8
Wiring Diagram.....	9
Accessories.....	10
Parts.....	11

We have checked that the contents of this document correspond to the model described. There may be discrepancies nevertheless, and no guarantee can be given that they are completely identical. The information contained in this document is reviewed regularly and any necessary changes will be included in the next edition. We welcome suggestions for improvement.

Specifications and document subject to change without prior notice.

Information supplied in this manual is copyright. No part of this work may be reproduced or copied in any form or by any means, electronic or mechanical without the express permission of the author / publisher.

Service 1 800 622 216

Parts 1 800 337 963



Distributed in Australia by Moffat Pty Limited
740 Springvale Road, Mulgrave, Victoria
Tel 09 9518 3888 | Fax 03 9518 3818

Safety Instructions



WARNING

Equipment contains dangerous voltages and can be hazardous if installed or operated incorrectly. Non-compliance with warnings or failure to follow the instructions contained in this manual can result in loss of life, severe personal injury or serious damage to property.

Installation

- Use qualified, skilled personnel
- Follow installation instructions
- Connect to correct voltage and supply current
- Provide fully accessible electrical Isolation Switch & water supply valves

Training and Supervision

- Read and understand the Operating instructions and train all staff
- This appliance must not be operated by children or infirm persons
- Machine panels must only be removed by suitably qualified and trained personnel – internal hazards include live electrics and very hot surfaces
- This appliance is not intended for use as a stepladder

Hot Surfaces

- Some surfaces may be hot or very hot

Chemicals

- Commercial dishwashing detergents are hazardous – handle with care
- Read and follow the safety information found on the labels of detergent containers and Material Safety Data Sheets
- Use protective eyewear and clothing if decanting containers

Hot Water

- Do not put hands in wash water which may be over 60°C and contain hazardous caustic detergent
- Rinse water can be over 90°C
- Door safety switches are designed for emergency use only

Cleaning

- Do not hose down the machine or splash water over the exterior
- Watch for broken glass etc when cleaning the inside of the machine

Service/repair

- Under no circumstances the user should attempt to carry out repairs
- All service/repair work must be carried out by qualified personnel only

Power Cord Replacement

- If the supply cord is damaged, it must be replaced by the manufacturer or its service agent or a similar qualified person in order to avoid a hazard

Installation Checklist



WARNING

Installer must be suitably qualified and ensure compliance with all codes and standards including AS/NZS3500.1.

Unpack

- Unpack the machine, check for damage and complete delivery.

Positioning

- Place machine on sound waterproof self draining floor and adjust feet to level
- Allow room for adjacent chemical containers

Water

- Flush supply lines before connection
- Connect hose supplied to adjacent accessible isolator valve - 20 mm 3/4 male
- Flow rate required - 20 litres per minute
- Temperature - 65° C (Hot Water Supply)
- Consumption per cycle - 2.0 litres
- Pressure required - 200-350 kPa - fit limiter above this pressure
- Back Flow - Dual Check Valve (DCV) supplied with the machine
- Potable water quality is required - filter or soften if necessary

Water Quality Requirements

Hardness	ppm	pH
min	20	7
max	100	8

Ions	Cl ⁻	SO ₄	Fe	Mn	Cu	Cl ₂
Max mg/L	100	400	0.1	0.5	0.05	0.1

Power

- Machine shipped with cordset for 15 A 240V 50Hz via adjacent switched outlet.

Waste

- Connect drain pump hose supplied to vented upstand or sink waste connection

Detergent

- Insert hose into container of commercial dishwasher low foam detergent
- Adjust detergent dosing and prime detergent using the keypad (refer to page 7)
- Use good quality chemicals and regularly check containers

Rinse Fluid

- Insert hose into adjacent container of commercial dishwasher rinse fluid
- Injector accessible via front panel. Factory setting is middle of half turn adjustment range from 0 to 1.3ml per litre of rinse water. A fine screw driver is required to adjust dosage.

Operation

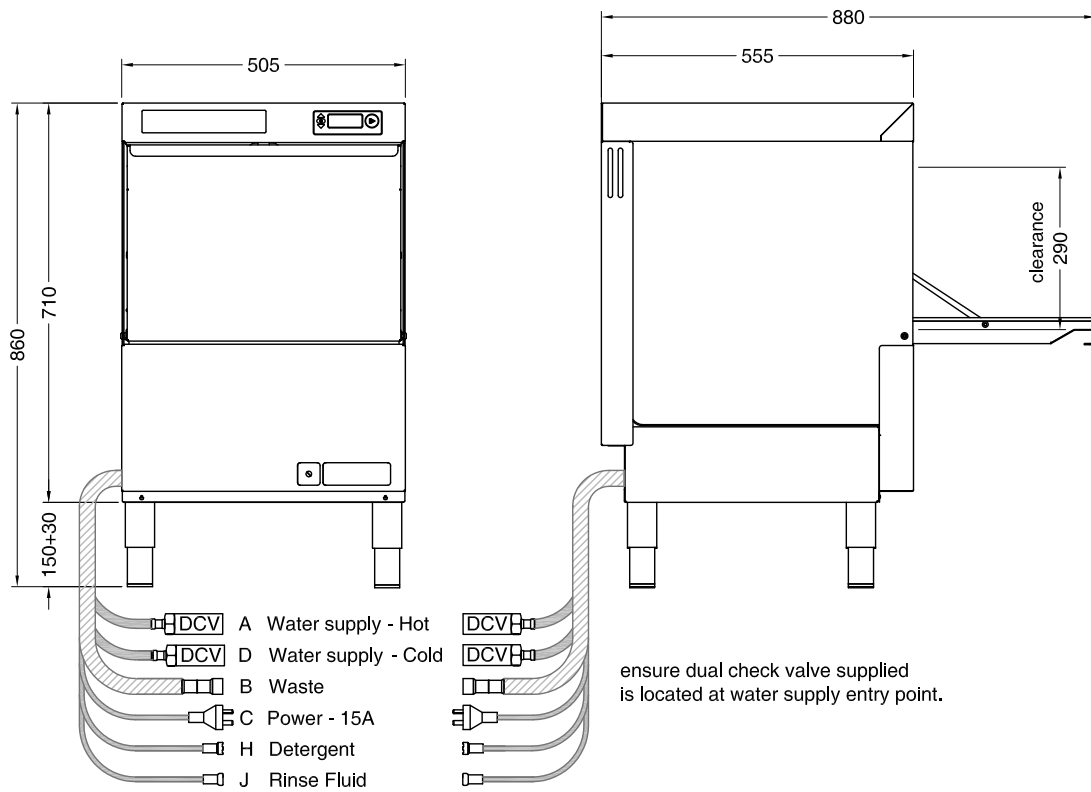
- Run several cycles, ensure that operator has read and understands instructions

Troubleshooting Installation

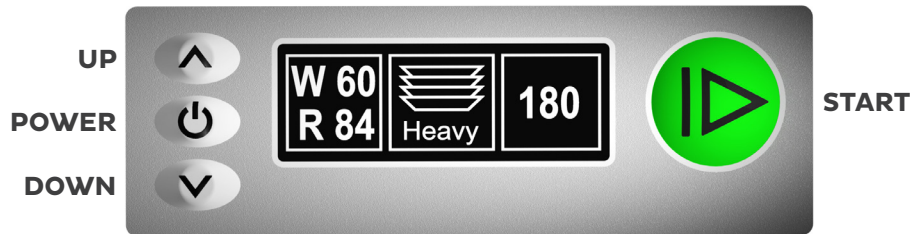
- If machine doesn't fill after switching on power, check & ensure that hot water supply tap is open, water supply pressure is not below specification and DCV is correctly installed as per arrow on DCV body.

GM Installation Diagram

GM INST 24-11-14 3C



GM Operating Instructions



START

- Turn on at wall
- Ensure the Filter (2) is in place
- Ensure the Upstand (1) is in place and shut door
- Press Power button for 3 seconds to turn machine on and begin the fill cycle

OPERATION

- Select cycle using Up/Down buttons (use the Heavy cycle whenever possible)
- Press Start button (once this is Green or Orange) to begin washing
- Timer counts down to 00 then resets after door is opened

START BUTTON COLOURS

- ▶ White = machine is filling
- ▶ Red = cycle is running
- ▶ Green = rinse water is up to temperature
- ▶ Purple = door is open
- ▶ Orange = machine is heating
- ▶ Blue = power saving mode

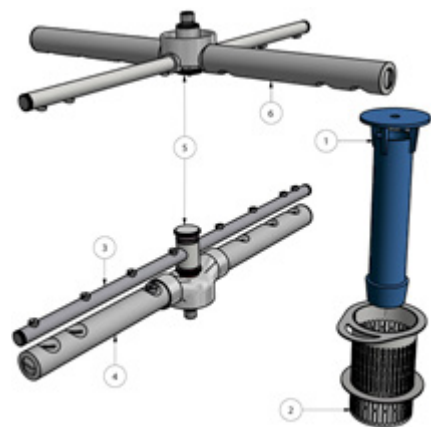
NOTE: The machine may be started while Orange light is on and while rinse water is being heated and the timer will pause at 22 seconds until rinse water is up to 83 degrees

SHUT DOWN – EVERY NIGHT

- Select Drain cycle via Up or Down buttons
- Remove drain Upstand (1) and shut door
- When Drain cycle is finished after 100 seconds, remove and rinse Upstand (1), Drain filter (2) before replacing back in machine

CLEANING – AT LEAST ONCE A WEEK

- Remove, rinse and replace:
- Upstand 1
- Filter 2
- Rinse arm 3
- Wash Arm 4
- Thumbscrews 5
- Wash/Rinse Arm 6
- Inspect and clear all jets in the wash and rinse arms



SUGGESTED BEST PRACTICE

- Pre-rinse Scrape and/or rinse plates and glasses in cool water
- Chemical Use good quality non foaming commercial detergent and drying agent
Do not use domestic detergent which will cause the machine to foam

User Programming

The **User Settings** menu is accessed by pressing the UP and DOWN keys simultaneously for 5 seconds, the screen should then change to:



Press the POWER button to scroll between settings.
 Press the UP and DOWN keys to change a specific setting,
 Press the START button to return to the operator screen.

The programming options are specified in the table below:

User Settings	Factory Setting	Selection
Power Save	ON	ON/OFF
Cold Rinse	OFF	ON/OFF
Cold Time	3 secs	3 - 15 secs
Detergent Prime	OFF	ON/OFF
F-Detergent Injection Time	40	0 - 180 secs
W-Detergent Injection Time	15	1 - 30
Rinse Aid Prime	OFF	ON/OFF
W-Rinse Aid Time	30	1 - 30
Display Contrast	27	10 - 40

Power Save function reduces the rinse temperature setting by 10°C when the machine is idle for 5 minutes or more. The temperature settings return to the set value when door is opened or START/STOP key is pressed.

Detergent Prime function allows manual operation of the detergent pump to fill the detergent hose with chemicals. Press UP key to switch the detergent pump on, DOWN key to switch the pump off. If the detergent pump is turned on and left running, it will stop automatically after 1 minute of operation.

F-Detergent Time controls the operation time of the detergent pump during the fill of the wash tank. The factory settings for passthrough models – 80 seconds.

W-Detergent Time sets the injection time of the detergent pump at the beginning of each wash cycle. Ex-factory setting is 15 seconds as board default.

Rinse Aid Prime function allows manual operation of the rinse aid pump to fill the rinse aid hose with chemicals. Press UP key to switch the rinse aid pump on, DOWN key to switch the pump off. If the rinse aid pump is turned on and left running, it will stop automatically after 1 minute of operation.

W-Rinse Aid Time controls the injection time of the rinse aid peristaltic pump. The rinse aid pump is set to operate at the beginning of each wash cycle. Ex-factory setting is 30 seconds to allow for adjustment via the adjusting screw on the front cover.

Troubleshooting

If an error message appears on the control display first try turning the machine OFF for 30 seconds and then back ON. If the error message remains call for service.

Issue	Resolution
Error 7	Fill failure - check drain upstand is fitted & water supply is turned on and good flow rate
Error 8	Drain failure - check drain upstand is removed & drain hose is not kinked or blocked
Not filling	Check water supply is on and door is closed
Refills during Wash	Check Drain upstand is fitted
Cycle does not start	Check door is closed
Wash too long	Check water supply temperature - wash stops at 22 seconds if rinse is still heating
Foaming Wash	Excessive use of rinse fluid and/or low wash temperature can cause foaming
Poor Results	Read and carefully follow the machine installation, operating and care procedures

All of the following is actually in the instructions on previous pages of the manual

Pre-scrap and pre-rinse washware

Do not overload dishracks - avoid overlap of plates, wash cutlery unsorted, handles up

Use quality low foam detergent and rinse fluid - check containers and adjustment

Use heavy cycle - baked on soil requires pre-scraping and/or pre-soaking

Remove and check wash & rinse arms & jets are clean and rotating freely

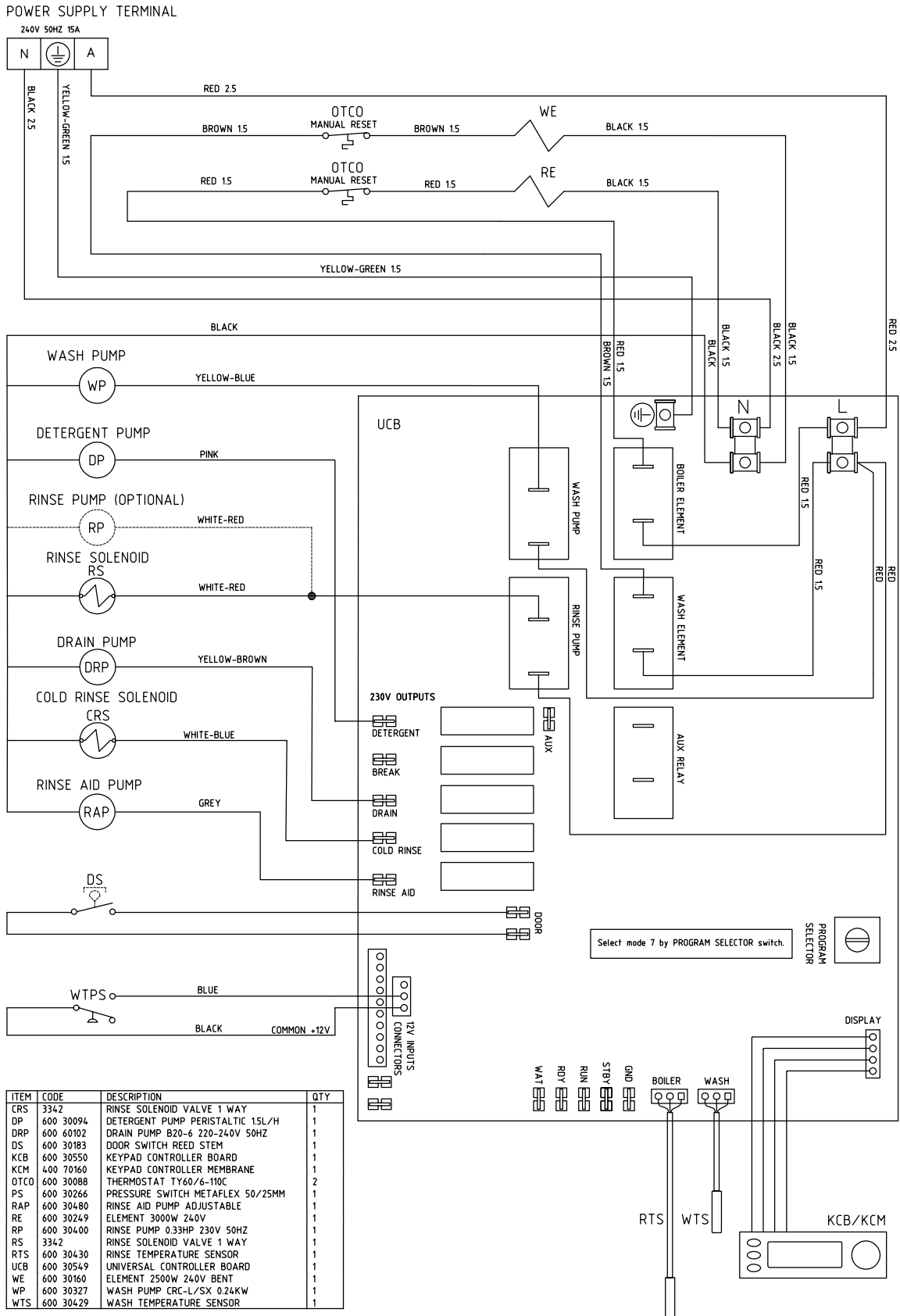
If plates are not pre-rinsed wash water may need changing regularly

Check wash and rinse temperatures

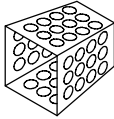
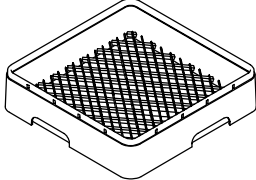
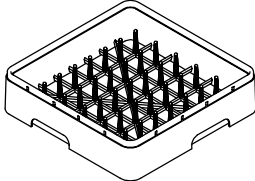
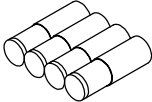
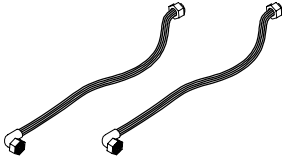
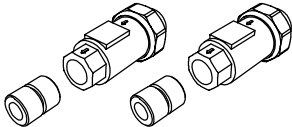
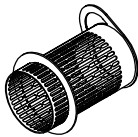
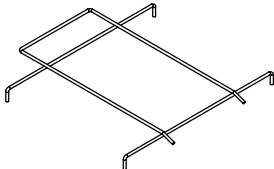
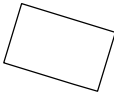
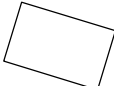
Remove rack when cycle ends and leave on the bench a few minutes for drying

GM7 Wiring Diagram

060247 24/03/17 3 F



Accessories

		QTY
	C660503 CUTLERY CONTAINER G	1
	600 70080 450 mm PLASTIC CUPRACK	1
	600 70081 450mm PLASTIC DISHRACK	1
	600 90021 ASSY GA/GM LEG (INOX 32x180xM10)	4
	600 60080 2m HOSE ANGLE END	2
	400 10118 DUAL CHECK VALVE ASSY	2
	400 10038 GM / XG FILTER ASSEMBLY	1
	CHECK IN MACHINE	
	213 30001 GL7 RACK ADAPTOR	1
	CHECK IN MACHINE	
	ELECTRICAL WIRING DIAGRAM (UNDER FRONT COVER)	1
	OPERATOR MANUAL	1

Parts

Description	Part No.
Controls & Indicators	
Digital Temperature 1000mm	600 30430
Door Reed Switch	600 30183
Electronic Controller Kit	KIT0440067
LCD Board with Spacers Kit	KIT0440069
Heating Components	
Over Temperature Thermostat	600 30088
Rinse Element 3kW V2	600 30495
Wash Element 2.5kW	600 30160
Hose & Fittings	
Hose Drain Pump 2.5m	600 60105
Pressure Switch Hose	3067
Rinse Hose	600 60073
Wash Pump Outlet Hose	6196
Upper Wash Hose	400 90012
Pumps & Solenoids	
Detergent Squeeze Tube	600 30134
Drain Pump	600 60102
Rinse Aid Pump Adjustable	600 30480
Rinse Aid Squeeze Tube	600 30119
Solenoid Valve	3342
Wash Pump	600 30327
Wash Tank Components	
Rinse Arm Lower Assembly	400 10112
Wash Arm Lower Assembly	30110030
Wash Spindle Nut	400 30074
Wash Tank Upstand	279 10018

Information supplied in this manual is copyright.
No part of this work may be reproduced or copied
in any form or by any means, electronic or
mechanical without the express permission of the
author/publisher

Manufactured in New Zealand by Washtech Ltd.

WASHTECH

414 Rosebank Road
Avondale
Auckland 1026
New Zealand

PO Box 90548, Auckland

24HR Service 0800 Starline
Tel 09 829 0930
Fax 09 829 0935
E-mail info@washtech.co.nz
web www.starline.co.nz

ISO9001

All Washtech products are designed and
manufactured by Washtech using the
internationally recognised ISO9001 quality
management system, covering design,
manufacture and final inspection, ensuring
consistent high quality at all times.

In line with policy to continually develop and
improve its products, Washtech Ltd reserves the
right to change specifications and design without
prior notice.

an Ali Group Company



The Spirit of Excellence