

WASHTECH



GL

Operator Manual



WASHTECH[®]

PROFESSIONAL WASH SYSTEMS



WARNING

Before installation and commissioning, you must read the safety instructions and warnings carefully and all the warning labels attached to the equipment.



IMPORTANT

Failure to comply (even partially) with the instructions given in this manual will invalidate the product warranty and relieves the manufacturer of any responsibility



IMPORTANT

The alteration of machine operation, design or the replacement of parts not approved by the manufacturer may void warranties and approvals.



IMPORTANT

This machine is intended for commercial use only.

CONTENTS

Safety Instructions.....	3
Installation.....	4
Installation Diagram.....	5
Operating Procedures.....	6
Troubleshooting.....	8
Wiring Diagram.....	10

We have checked that the contents of this document correspond to the model described. There may be discrepancies nevertheless, and no guarantee can be given that they are completely identical. The information contained in this document is reviewed regularly and any necessary changes will be included in the next edition. We welcome suggestions for improvement.

Specifications and document subject to change without prior notice.

Information supplied in this manual is copyright. No part of this work may be reproduced or copied in any form or by any means, electronic or mechanical without the express permission of the author / publisher.

Service 1 800 622 216

Parts 1 800 337 963



Distributed in Australia by Moffat Pty Limited
740 Springvale Road, Mulgrave, Victoria
Tel 09 9518 3888 | Fax 03 9518 3818

Safety Instructions



WARNING

Equipment contains dangerous voltages and can be hazardous if installed or operated incorrectly. Non-compliance with warnings or failure to follow the instructions contained in this manual can result in loss of life, severe personal injury or serious damage to property.

Installation

- Use qualified, skilled personnel
- Follow installation instructions
- Connect to correct voltage and supply current
- Provide fully accessible electrical Isolation Switch & water supply valves

Training and Supervision

- Read and understand the Operating instructions and train all staff
- This appliance must not be operated by children or infirm persons
- Machine panels must only be removed by suitably qualified and trained personnel – internal hazards include live electrics and very hot surfaces
- This appliance is not intended for use as a stepladder

Hot Surfaces

- Some surfaces may be hot or very hot

Chemicals

- Commercial dishwashing detergents are hazardous – handle with care
- Read and follow the safety information found on the labels of detergent containers and Material Safety Data Sheets
- Use protective eyewear and clothing if decanting containers

Hot Water

- Do not put hands in wash water which may be over 60°C and contain hazardous caustic detergent
- Rinse water can be over 90°C
- Door safety switches are designed for emergency use only

Cleaning

- Do not hose down the machine or splash water over the exterior
- Watch for broken glass etc when cleaning the inside of the machine

Service/repair

- Under no circumstances the user should attempt to carry out repairs
- All service/repair work must be carried out by qualified personnel only

Power Cord Replacement

- If the supply cord is damaged, it must be replaced by the manufacturer or its service agent or a similar qualified person in order to avoid a hazard

Installation Checklist



WARNING

Installer must be suitably qualified and ensure compliance with all codes and standards including AS/NZS3500.1.

Unpack

- Unpack the machine, check for damage and complete delivery.

Positioning

- Place machine on sound waterproof self draining floor and adjust feet to level
- Allow room for adjacent chemical containers

Water

- Flush supply lines before connection
- Connect hose supplied to adjacent accessible isolator valve - 20 mm 3/4 male
- Flow rate required - 15 litres per minute
- Temperature - 65° C (Hot Water Supply)
- Consumption per cycle - 2.6 litres
- Pressure required - 200-350 kPa - fit limiter above this pressure
- Back Flow - Dual Check Valve (DCV) supplied with the machine
- Potable water quality is required - filter or soften if necessary

Power

- Machine shipped with cordset for 15 A 240V 50Hz via adjacent switched outlet.
- Easily upgradeable to single phase 25 A 240V 50Hz or three phase 15 A per phase 415V 50Hz

Waste

- Connect drain pump hose supplied to upstand or sink waste connection

Detergent

- Note that detergent is hazardous - read instructions and handle with care
- Insert hose into container of commercial dishwasher low foam detergent
- Refer operator procedures

Rinse Fluid

- Insert hose into adjacent container of commercial dishwasher rinse fluid
- Injector accessible via front panel. Factory setting is middle of half turn adjustment range from 0 to 1.3ml per litre of rinse water. A fine screw driver is required to adjust dosage.

Operation

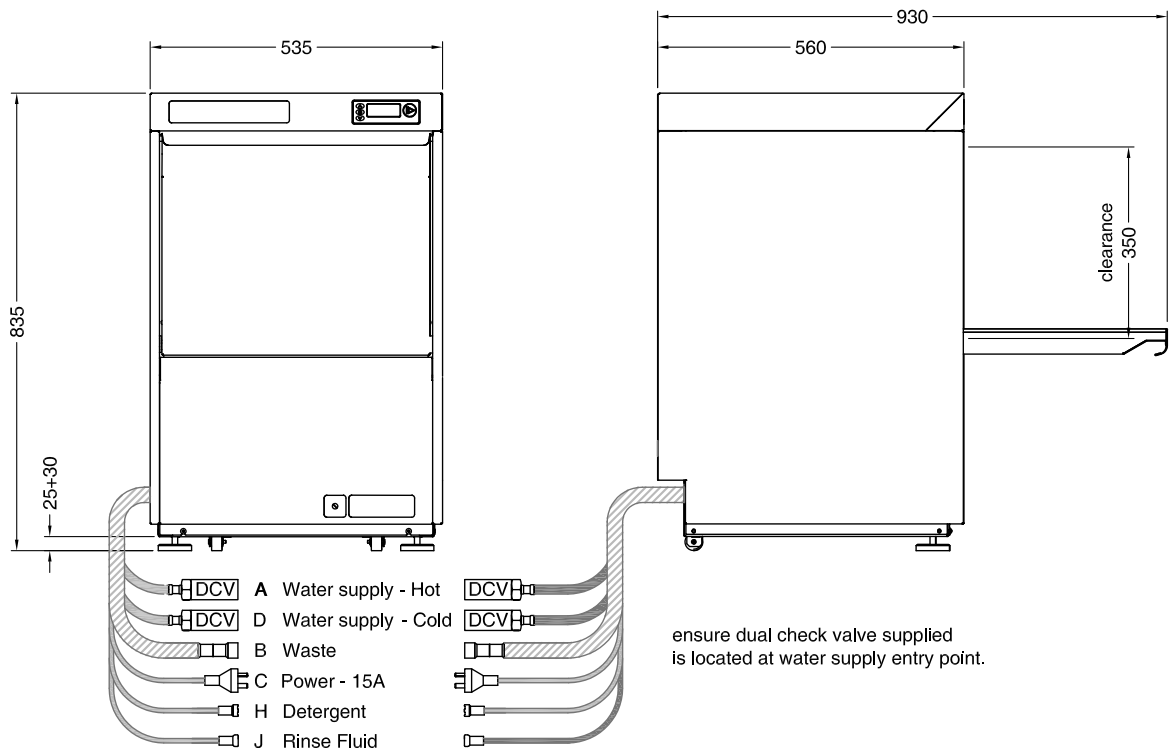
- Run several cycles, ensure that operator has read and understands instructions

Troubleshooting Installation

- If machine doesn't fill after switching on power, check & ensure that hot water supply tap is open, water supply pressure is not below specification and DCV is correctly installed as per arrow on DCV body.

GL Installation Diagram

GL INST 24-06-15 3F



GL Machine Operation

Turn machine on at wall. Fit scrap tray, filter and shut door.
Press On/Off Key for 3 Seconds

Start key glows white as machine fills. If door is open then the start key glows purple

Once full, rinse heating starts. Start key glows orange while heating. Machine can be started when machine is heating. NOTE: If rinse temperature is not sufficient cycle countdown will stop at 14 seconds if cold rinse is turned off. If cold rinse is turned on the countdown will stop at 17 seconds. Washing continues until rinse reaches temperature required for sanitization and countdown then resumes.

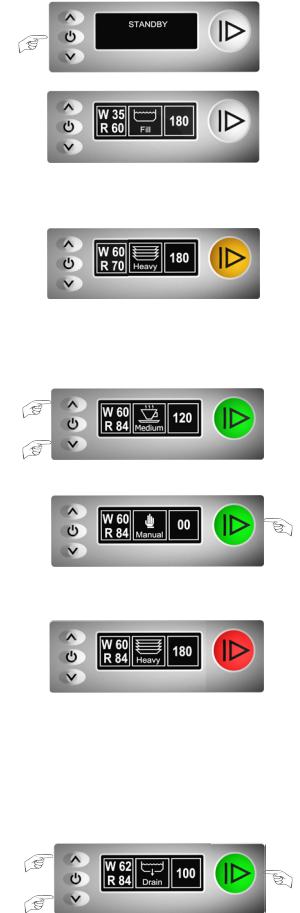
Start key glows green when machine is fully heated. For different cycles press the UP and DOWN arrows: Light, Medium, Heavy, Manual or Drain.

Close door/Press start key to start cycle. When manual cycle is selected machine will continue washing until START button is pressed. Rinsing and draining follow washing to complete cycle.

Start key glows red during cycle. Pressing Start key again terminates cycle without rinse. Timer counts down to double zero and flashes 00 at cycle end until door is opened.

SHUT DOWN - EVERY NIGHT

Press UP or DOWN keys to select Drain cycle and shut the door. Press START key to start Drain cycle. Machine drains for 100 seconds with a cleaning rinse mid-cycle. When Draining is complete machine goes into Standby mode. Remove filter basket and scrap tray; rinse clean and replace.



DAILY CLEANING

The machine must be drained and cleaned at the end of each day.
Drain the machine as per the shut down instructions.
Remove, clean and replace filters.
Regularly check the wash and rinse jets and clean if necessary.

MAINTENANCE

Regular servicing of the dishwasher is essential for high performance, efficient operation and long machine life. Contact us for information on a maintenance programs.



WASHTECH®

Service 1 800 622 216
Parts 1 800 337 963

Operating Procedures

PRE-RINSING

Food scraps must be removed from dishes by scrapping, dunking in water or preferably with a Fisher pre-rinse spray unit. Soak accumulated cutlery in container filled with water before washing.

RACKING PROCEDURES

Do not overload racks or cutlery containers, minimise the overlap of crockery. Wash cutlery unsorted, handles down (except sharp knives). Cycle times are short and water consumption per cycle low – so there is no advantage in overloading racks.

CYCLE TIMES

The GL has a 1, 2, 3 minute cycle and an extended manual cycle.

CHEMICAL

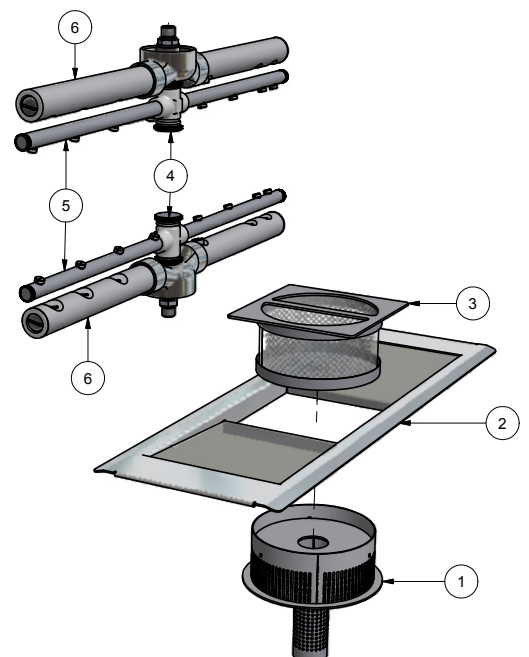
Correct type and quantity of detergent is essential for good results and rinse fluid speeds drying. Use good quality chemicals and regularly check supply containers. Rinse Fluid concentration can be changed by turning adjusting screw on front cover. Detergent concentration can be changed by adjusting dispensing time on the keypad (refer to page 8 User Programming). Prime detergent line by turning on the DETERGENT PRIME option in the User Settings menu. Detergent pump will operate continuously for up to 1 minute and prime the line; repeat process as necessary until line is fully primed.

DRYING

Single tank commercial dishwashers do not have a drying cycle. However, the machines do rinse at high temperature which promotes fast drying particularly when drying agents are used. At the end of the cycle promptly remove the rack from the machine and leave it on the bench for 2 to 3 minutes before emptying.

REGULAR CLEANING – at least once a week

Remove filter basket (3), scrap tray (2) and wash filter (1). Remove wash (6) and rinse arms (5) by undoing the central thumbscrews (4). Inspect all jets – use toothpick or paperclip and remove arm end-caps if necessary to flush and clear. Clean and then replace all items.



Keypad Start Button Colours

Machine State	Colour
Door Open	Purple
Filling	White
Heating	Orange
Ready	Green
Ecopower	Blue
Washing	Red
Error	Flashing Red

User Programming

The **User Settings** menu is accessed by pressing the UP and DOWN keys simultaneously for 5 seconds, the screen should then change to:



Press the POWER button to scroll between settings.
 Press the UP and DOWN keys to change a specific setting,
 Press the START button to return to the operator screen.

The programming options are specified in the table below:

User Settings	Factory Setting	Selection
Power Save	ON	ON/OFF
Cold Rinse	OFF	ON/OFF
Detergent Prime	OFF	ON/OFF
Fill Detergent Injection Time	40	0 - 180 secs
Wash Detergent Injection Time	15	1 - 30
Rinse Aid Injection Time	12	1 - 30
Display Contrast	27	10 - 40

Power Save function reduces the rinse temperature setting by 10°C when the machine is idle for 5 minutes or more. The temperature settings return to the set value when door is opened or START/STOP key is pressed.

QuickStart starts washing regardless of rinse temperature. If rinse temperature is not sufficient cycle countdown will stop at 14 seconds if cold rinse is turned off. If cold rinse is turned on the countdown will stop at 17 seconds. Washing continues until rinse reaches temperature required for sanitization and countdown then resumes.

Troubleshooting

If an error message appears on the control display first try turning the machine OFF for 30 seconds and then back ON. If the error message remains call for service.

Issue	Resolution
Not filling	Check water supply is on and door is closed
Cycle does not start	Check door is closed
Wash too long	Check water supply temperature - wash stops at 22 seconds if rinse is still heating
Foaming Wash	Excessive use of rinse fluid and/or low wash temperature can cause foaming
Poor Results	Read and carefully follow the machine installation, operating and care procedures

All of the following is actually in the instructions on previous pages of the manual

Pre-scrap and pre-rinse washware

Do not overload dishracks - avoid overlap of plates, wash cutlery unsorted, handles up

Use quality low foam detergent and rinse fluid - check containers and adjustment

Use heavy cycle - baked on soil requires pre-scraping and/or pre-soaking

Remove and check wash & rinse arms & jets are clean and rotating freely

If plates are not pre-rinsed wash water may need changing regularly

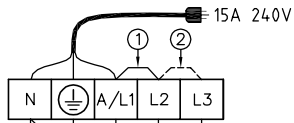
Check wash and rinse temperatures

Remove rack when cycle ends and leave on the bench a few minutes for drying

GL 7 Wiring Diagram

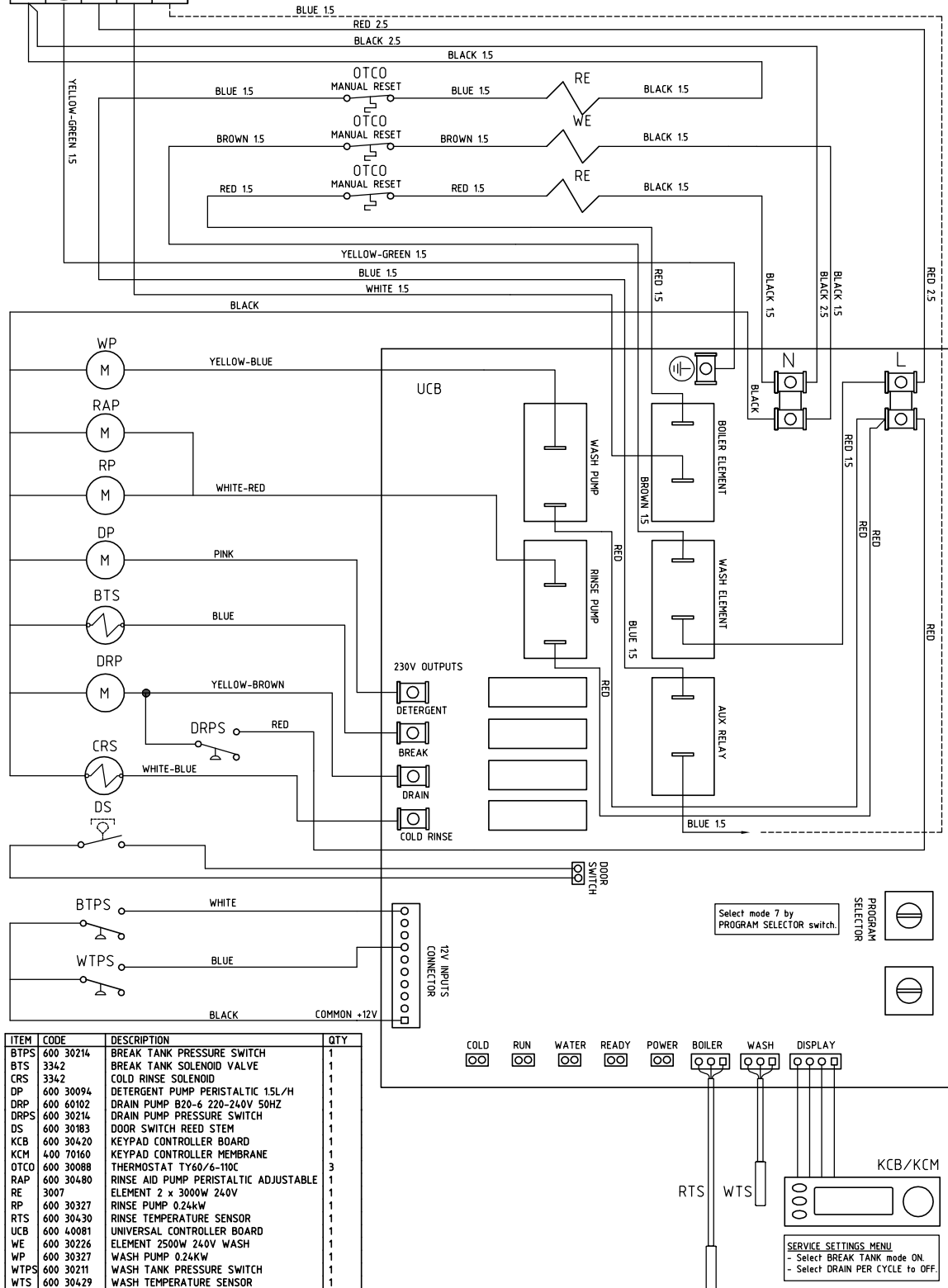
030315 22/06/15 1 D

POWER SUPPLY TERMINAL

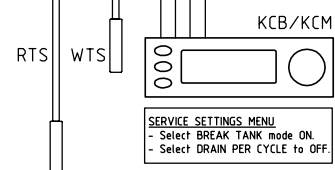
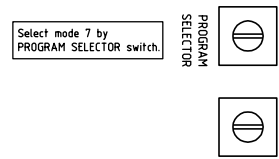


IMPORTANT

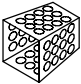
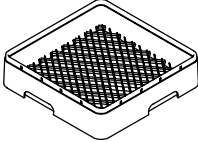
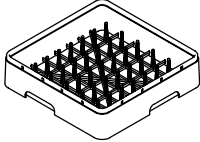
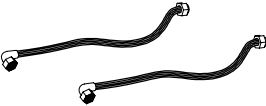
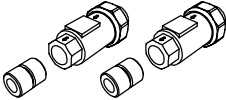

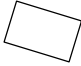
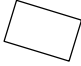
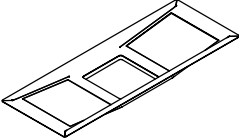


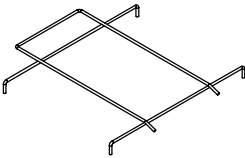
- 1P 240V 15A - 3KW RINSE HEATING, STANDARD AS SHIPPED WITH 15A CORDSET AND LINK 1 FITTED.
- 1P 240V 25A - 6KW RINSE HEATING - REPLACE CORDSET WITH PROPER RATED CABLE FROM 25A SUPPLY CIRCUIT, FIT LINK 2 BETWEEN L2 & L3, THEN CONNECT BLUE 15MM WIRE (SUPPLIED) FROM AUX RELAY.
- 3P+N-E 415V 15A - 6KW RINSE HEATING - REPLACE CORDSET WITH PROPER RATED CABLE, REMOVE ALL LINKS, THEN CONNECT BLUE 15MM WIRE (SUPPLIED) FROM AUX RELAY.



ITEM	CODE	DESCRIPTION	QTY
BTPS	600 30214	BREAK TANK PRESSURE SWITCH	1
BTS	3342	BREAK TANK SOLENOID VALVE	1
CRS	3342	COLD RINSE SOLENOID	1
DP	600 30094	DETERGENT PUMP PERISTALTIC 1.5L/H	1
DRP	600 60102	DRAIN PUMP B20-6 220-240V 50HZ	1
DRPS	600 30214	DRAIN PUMP PRESSURE SWITCH	1
DS	600 30183	DOOR SWITCH REED STEM	1
KCB	600 30420	KEYPAD CONTROLLER BOARD	1
KCM	400 70160	KEYPAD CONTROLLER MEMBRANE	1
OTCO	600 30088	THERMOSTAT TY60/6-110C	3
RAP	600 30480	RINSE AID PUMP PERISTALTIC ADJUSTABLE	1
RE	3007	ELEMENT 2 x 3000W 240V	1
RP	600 30327	RINSE PUMP 0.24kW	1
RTS	600 30430	RINSE TEMPERATURE SENSOR	1
UCB	600 44081	UNIVERSAL CONTROLLER BOARD	1
WE	600 30226	ELEMENT 2500W 240V WASH	1
WP	600 30327	WASH PUMP 0.24kW	1
WTPS	600 30211	WASH TANK PRESSURE SWITCH	1
WTS	600 30429	WASH TEMPERATURE SENSOR	1



Accessories

		QTY
	C660503 CUTLERY CONTAINER G	1
	600 70080 450 mm PLASTIC CUPRACK	1
	600 70081 450mm PLASTIC DISHRACK	1
	600 60080 2m HOSE ANGLE END	2
	400 10118 DUAL CHECK VALVE ASSY	2
	C440201 RUBBER FOOT D.60 X 10	2
	ELECTRICAL WIRING DIAGRAM (UNDER FRONT COVER)	1
	OPERATOR MANUAL	1
	213 10050 SCRAP TRAY ASSEMBLY ***CHECK IN MACHINE***	1
	212 10004 WASH FILTER ASSEMBLY ***CHECK IN MACHINE***	1
	213 10046 WASTE BASKET ASSEMBLY ***CHECK IN MACHINE***	1
	213 30001 GL7 RACK ADAPTOR ***CHECK IN MACHINE***	1

Information supplied in this manual is copyright.
No part of this work may be reproduced or copied
in any form or by any means, electronic or
mechanical without the express permission of the
author/publisher

Distributed in Australia by Moffat Pty Limited



740 Springvale Road
Mulgrave 3170
Victoria
Australia

24HR Service 1 800 622 216
Parts 1 800 337 963

Tel 03 9518 3888
Fax 03 9518 3818
E-mail vsales@moffat.com.au
web www.moffat.com.au

ISO9001

All Washtech products are designed and
manufactured by Washtech using the
internationally recognised ISO9001 quality
management system, covering design,
manufacture and final inspection, ensuring
consistent high quality at all times.

In line with policy to continually develop and
improve its products, Washtech Ltd reserves the
right to change specifications and design without
prior notice.

