

GE

Operator Manual



WASHTECH[®]
PROFESSIONAL WASH SYSTEMS



WARNING

Before installation and commissioning, you must read the safety instructions and warnings carefully and all the warning labels attached to the equipment.



IMPORTANT

Failure to comply (even partially) with the instructions given in this manual will invalidate the product warranty and relieves the manufacturer of any responsibility



IMPORTANT

The alteration of machine operation, design or the replacement of parts not approved by the manufacturer may void warranties and approvals.



IMPORTANT

This machine is intended for commercial use only.

CONTENTS

Safety Instructions.....3

Installation.....4

Installation Diagram.....5

Operating Procedures.....6

Troubleshooting.....7

Schematic Diagram.....8

Accessories.....9

We have checked that the contents of this document correspond to the model described. There may be discrepancies nevertheless, and no guarantee can be given that they are completely identical. The information contained in this document is reviewed regularly and any necessary changes will be included in the next edition. We welcome suggestions for improvement.

Specifications and document subject to change without prior notice.

Information supplied in this manual is copyright. No part of this work may be reproduced or copied in any form or by any means, electronic or mechanical without the express permission of the author / publisher.

Service 1 800 622 216

Parts 1 800 337 963



Distributed in Australia by Moffat Pty Limited
740 Springvale Road, Mulgrave, Victoria
Tel 09 9518 3888 | Fax 03 9518 3818

Safety Instructions



WARNING

Equipment contains dangerous voltages and can be hazardous if installed or operated incorrectly. Non-compliance with warnings or failure to follow the instructions contained in this manual can result in loss of life, severe personal injury or serious damage to property.

Installation

- Use qualified, skilled personnel
- Follow installation instructions
- Connect to correct voltage and supply current
- Provide fully accessible electrical Isolation Switch & water supply valves

Training and Supervision

- Read and understand the Operating instructions and train all staff
- This appliance must not be operated by children or infirm persons
- Machine panels must only be removed by suitably qualified and trained personnel – internal hazards include live electrics and very hot surfaces
- This appliance is not intended for use as a stepladder

Hot Surfaces

- Some surfaces may be hot or very hot

Chemicals

- Commercial dishwashing detergents are hazardous – handle with care
- Read and follow the safety information found on the labels of detergent containers and Material Safety Data Sheets
- Use protective eyewear and clothing if decanting containers

Hot Water

- Do not put hands in wash water which may be over 60°C and contain hazardous caustic detergent
- Rinse water can be over 90°C
- Door safety switches are designed for emergency use only

Cleaning

- Do not hose down the machine or splash water over the exterior
- Watch for broken glass etc when cleaning the inside of the machine

Service/repair

- Under no circumstances the user should attempt to carry out repairs
- All service/repair work must be carried out by qualified personnel only

Power Cord Replacement

- If the supply cord is damaged, it must be replaced by the manufacturer or its service agent or a similar qualified person in order to avoid a hazard

Installation Checklist



WARNING

Installer must be suitably qualified and ensure compliance with all codes and standards including AS/NZS3500.1.

Unpack

- Unpack the machine, check for damage and complete delivery.

Positioning

- Place machine on sound waterproof self draining floor, fit feet and adjust feet to level
- Allow room for adjacent chemical containers

Water

- Flush supply lines before connection
- Connect hose supplied to adjacent accessible isolator valve - 20 mm 3/4 male
- Flow rate required - 20 litres per minute
- Temperature - 65°C
- Hot Water Consumption per cycle - approx 5 litres
- Cold Water Consumption per cycle - 1.1 litres
- Pressure required - 200-350 kPa - fit limiter above this pressure
- Back Flow - Atmospheric Vacuum Breaker
- Potable water quality is required - filter or soften if necessary

Water Quality Requirements

Hardness							ppm		pH
min							20		7
max							100		8
Ions	Cl ⁻	SO ₄	Fe	Mn	Cu	Cl ₂			
Max mg/L	100	400	0.1	0.5	0.05	0.1			

Power

- Machine shipped with cordset for 15 A 240V 50Hz via adjacent switched outlet

Waste

- 40mm gravity drain - refer to point B on installation diagram. Run waste directly behind the machine or through hole in base

Detergent

- Note that detergent is hazardous - read instructions and handle with care
- Insert hose into container of commercial dishwasher low foam detergent
- Detergent can be adjusted by turning the central screw on the venturi block

Commissioning

- Connect all services, close door and switch on. Rinse tank will fill
- When water sprays from bottom rinse arm, switch machine off at wall
- Remove lower front panel and turn on commissioning switch at right side of wiring tray, by breaking label on switch

Operation

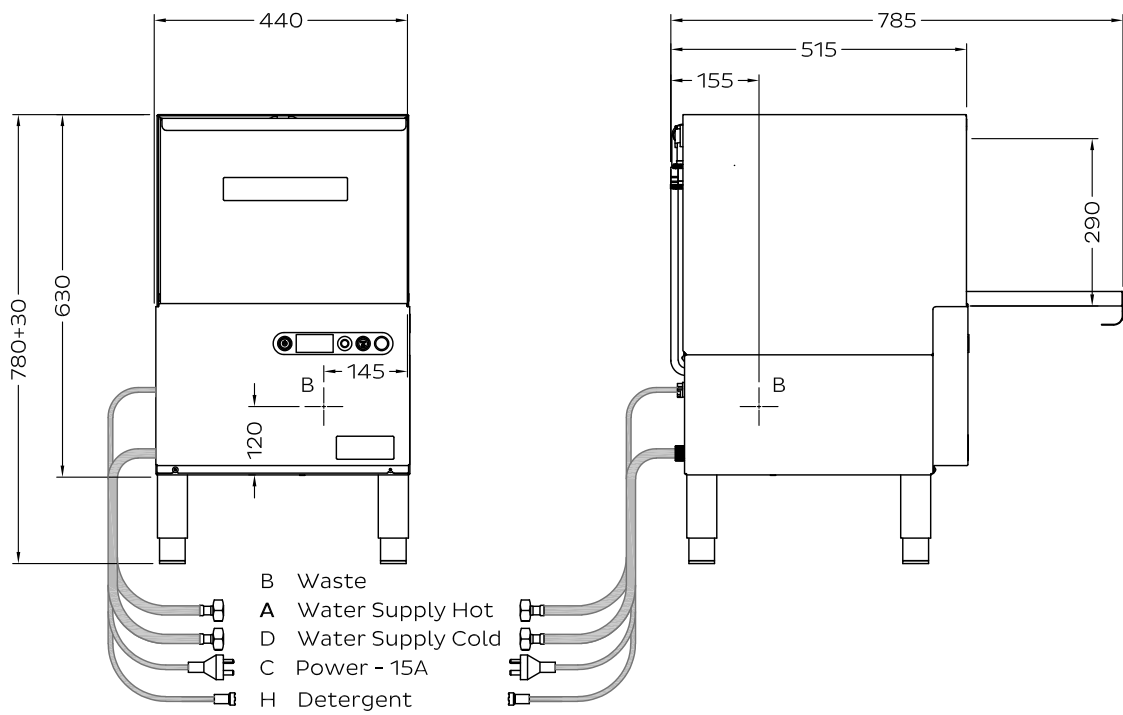
- Run several cycles, ensure that operator has read and understands instructions

Troubleshooting Installation

- If machine doesn't fill after switching on power, check & ensure that hot water supply tap is open, water supply pressure is not below specification

GE Installation Diagram

GE INST 17-10-17 3 C



GE Operating Instructions



Start

- Turn machine on at wall and press machine power switch
- Power switch glows red while machine is on and rinse begins to heat
- Machine will be able to run once rinse reaches required temperature (83°C) and the Rinse Ready light glows
- If required, switch cold rinse on. Switch will glow.

NOTE: In cold rinse mode, cycles will end with a cooling spray

Operation

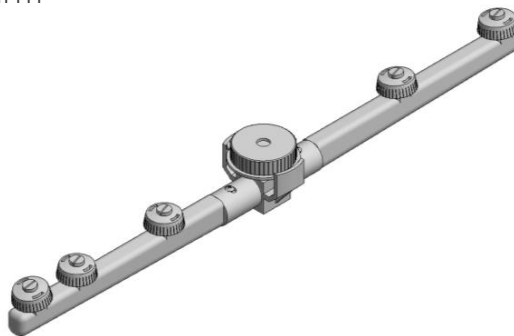
- Load rack into machine and shut door
- Press Start button, the Start button glows green while machine is operating
- When Start button light goes out, the cycle is complete
- Open door, remove rack

Shut Down - Every Night

- Turn machine and wall power switches off

Cleaning - At Least Once A Week

- Remove wash/rinse arm by undoing the central thumbscrew
- Inspect all jets - use sharp implement e.g. toothpick or paperclip
- Clean and then replace arm



Suggested Best Practice

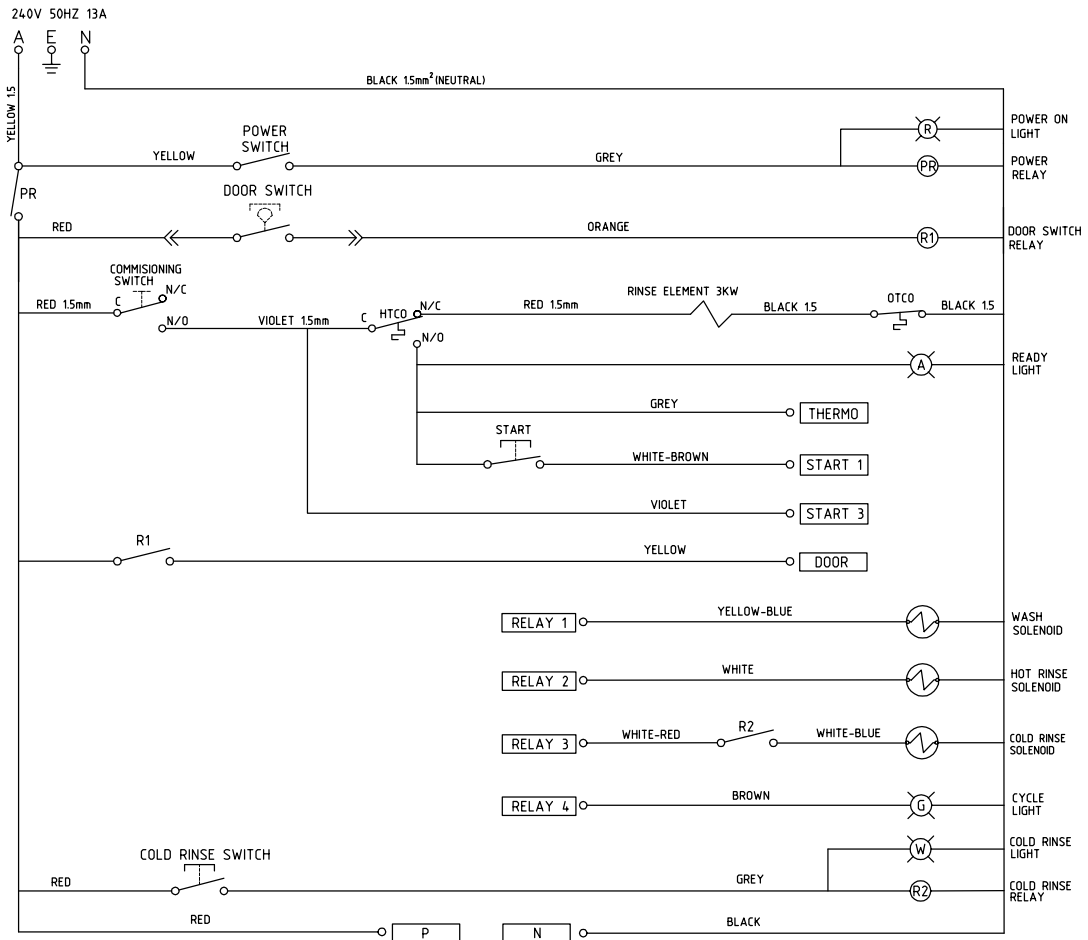
- | | |
|-----------|--|
| Pre-rinse | Scrape and/or rinse plates & glasses in cool water |
| Chemical | Use good quality non foaming commercial detergent and drying agent. Do not use domestic detergent which will cause the machine to foam |

Troubleshooting

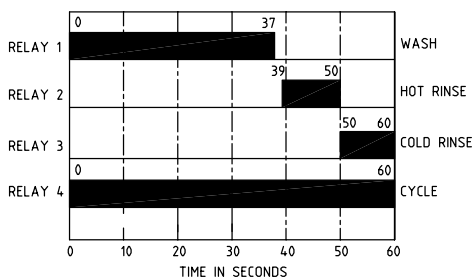
Fault	Cause	Remedy
Heating		
Dishes not hot enough	Machine not rinsing	Check water supply temperature
Cycle start		
Does not start	Door switch	Check door is closed
Performance		
Poor wash result	Detergent not used	Use quality low foam product
	Overloading racks	Do not overload racks
	Not pre-rinsing	Use Fisher pre-rinse
	Wash arms not rotating	Remove and clean arms/check bushes
	Wash jets blocked	Remove arms and clean jets
Poor rinse results	Unrealistic expectation	E.g. baked on soiling requires pre-soaking
	Rinse jets blocked	Remove arms and clean jets
	Rinse arms not turning	Remove arms, clean jets, check bushes
Not drying	Poor racking procedures	Do not overload racks
	Poor wash/rinse performance	Refer above
	Low temperatures	Check heating systems
	Drying agent not used	Use quality drying agent/rinse fluid
Foaming Wash	Excessive Rinse Fluid	Adjust Rinse Fluid Injector

GE7 Schematic Diagram

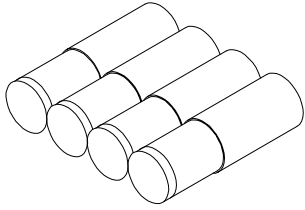
040131 29/11/17 1 C



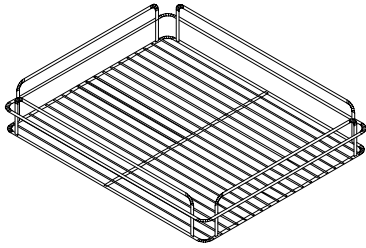
TIMING DIAGRAM



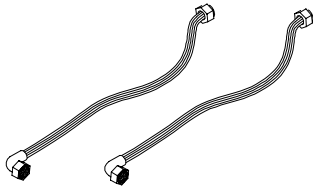
Accessories



600 90021
ASSY GA/GM LEG (INOX 40x180xM10)



K0401
GLASS RACK 365mm



600 60080
2m HOSE ANGLE END

Notes

Notes

Information supplied in this manual is copyright.
No part of this work may be reproduced or copied
in any form or by any means, electronic or
mechanical without the express permission of the
author/publisher

Distributed in Australia by Moffat Pty Limited



740 Springvale Road
Mulgrave 3170
Victoria
Australia

24HR Service 1 800 622 216
Parts 1 800 337 963

Tel 03 9518 3888
Fax 03 9518 3818
E-mail sales@moffat.com.au
web www.moffat.com.au

ISO9001

All Washtech products are designed and
manufactured by Washtech using the
internationally recognised ISO9001 quality
management system, covering design,
manufacture and final inspection, ensuring
consistent high quality at all times.

In line with policy to continually develop and
improve its products, Washtech Ltd reserves the
right to change specifications and design without
prior notice.

an Ali Group Company



The Spirit of Excellence