

GM

Professional Undercounter Glasswasher/Dishwasher – 365mm to 450mm rack
W 505mm x D 555mm x H 860mm

The Washtech GM is a compact, versatile and highly efficient glasswasher that combines the latest technology with heavy duty stainless steel construction and components. With economical water consumption rates and powerful rinse heating, the GM provides excellent wash results while being light on operating costs and the environment.

The GM's intuitive electronic controls provide Soft Start, EcoPower, cycle customisation, chemical adjustability and immediate fault diagnosis. Compatible with a wide range of racks (from standard glassracks up to the higher capacity 450mm) the GM is capable of washing up to 960 glasses or 840 plates per hour and is the perfect machine for busy bars and office kitchens.

Since 1981 Washtech dishwashers have been constructed from heavy-duty stainless steel, and are engineered specifically for Australian conditions and regulations. Backed by the most extensive service network and spare parts inventory in the region, your Washtech GM will not let you down.

Standard Features

- 1, 2 and 3 minute cycles
- Capacity of up to 960 glasses / 840 plates per hour
- Low hot water consumption of 2.2 litres per cycle
- Sanitising rinse of >82°C
- Compatible with 365mm to 450mm racks
- Heavy duty stainless steel construction
- Heavy duty stainless steel componentry
- Advanced electronic controls
- Soft start
- Quick connection including:
 - Water supply hose
 - Detergent and rinse aid pumps with injector lines
 - Drain pump with outlet hose
 - 15 amp plugset
- Self-cleaning cycle
- Selectable cold rinse
- EcoPower - reduced temperatures and energy consumption when machine is idle
- Insulated door - reduced noise and heat emissions
- Watermark approved backflow prevention
- Moffat's comprehensive 5-2-1 Warranty

Includes:

- 1 x 450mm dish rack (600 70081)
- 1 x 450mm cup rack (600 70080)
- 1 x cutlery container (C660503)
- 1 x rack adapter (213 30001)



GM

MOFFAT

moffat.com.au
washtech.com.au

Moffat Pty Limited

VIC/TAS/SA

70 Springvale Road
Mulgrave, Victoria 3170
Telephone 03-9518 3888
Fax 03-9518 3833
vsales@moffat.com.au

NSW

Telephone 02-8833 4111
nswsales@moffat.com.au

QLD

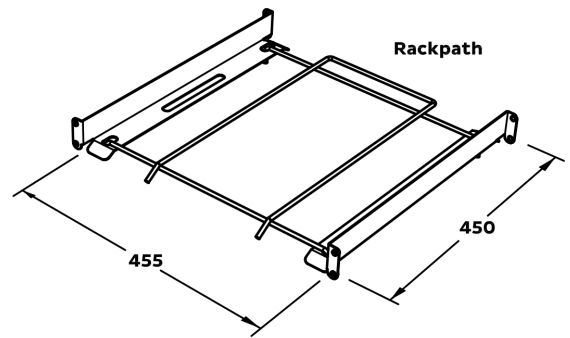
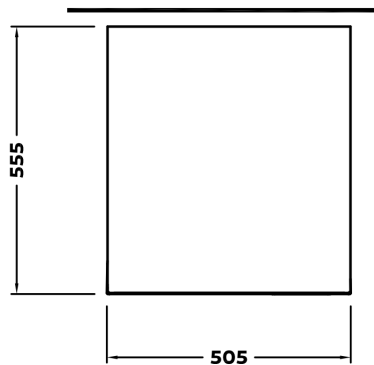
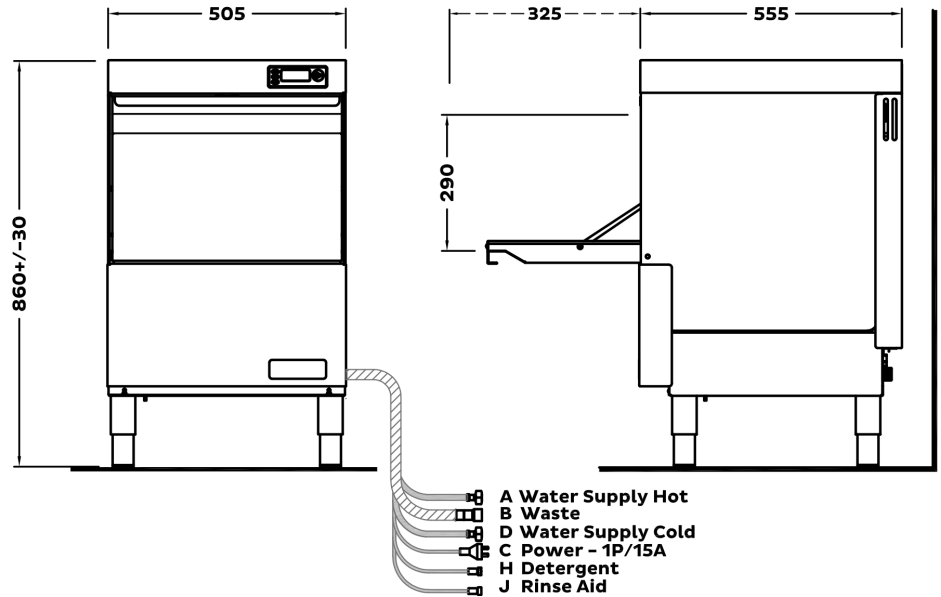
Telephone 07-3630 8600
qldsales@moffat.com.au

WA

Telephone 08-9413 2400
wasales@moffat.com.au

In line with policy to continually develop and improve its products, Washtech reserves the right to change specifications and design without notice.

© Copyright Moffat Ltd
Version: WGM0020 2101



A - Hot Water

Temperature 65°C
Connection 3/4" male; hose supplied
Pressure 200-350kPa
Flow 20 litres per min
Quality Potable - refer table
Backflow Prevention AVB
Consumption 2.2 litres per cycle*

D - Cold Water (Optional Cold Rinse Only)

Temperature 20°C
Connection 3/4" male; hose supplied
Pressure 200-350kPa
Flow 20 litres per min
Quality Potable - refer table
Backflow Prevention DCV

B - Waste - Pumped Drain

Connection 20mm male; drain pump outlet hose supplied (up to 25mm connection)
Outlet Temp No greater than wash water temp (default = 60°C to 65°C)

C - Electrical
Single Phase V Hz A/phase Max kW
 240 50 15 3.15

Isolating switch must be within 1m of, and not directly behind the machine.

Dimensions

	Machine	Packed
Width (mm)	505	530
Depth (mm)	555	620
Height (mm)	860	830
Weight (kg)	54	68
Volume (m ³)		0.27

Water Quality

	Min	Max
pH	7	8
Hardness (ppm)	20	100
Cl ⁻		100
SO ₄		400
Fe		0.1
Mn		0.5
Cu		0.05
Cl ₂		0.1

* Water consumption rates may vary based on site conditions.

** For plinth mounting, the machine height can be reduced by using rubber feet (#C440201) in place of the supplied legs.

Refer to operator manual for installation instructions.



an Ali Group Company

