

## CP4

### 450mm Single Pan Gas Pasta Cooker



CP4

- High performance single pan pasta cooker
- Patented infra-red burner system
- Easy clean 316 grade stainless steel open pan
- 40L water capacity
- Integrated water fill and starch skimming water faucet
- Six stainless steel pasta baskets supplied
- Hinged basket drain stand
- Safety cut-out thermostat for empty pan/water boil out
- Stainless steel exterior
- Easy clean
- Easy service
- Fully modular

#### OVERALL CONSTRUCTION

- Pan 1.5mm 316 stainless steel
- Stainless steel front, sides and splashback
- Vitreous enamelled control panel
- Double skin door with stainless exterior
- 25mm (1") skimming overflow and pan drain valve
- 63mm dia. stainless steel adjustable legs to front and two rollers at rear
- Six stainless steel baskets with moulded handles
- 304 stainless steel wire basket support grid in pan

#### CONTROLS

- Large easy to use knob - heat resistant reinforced
- Variable high boil to standby simmer burner control
- Fine adjustment water faucet for pan filling and water refreshing/starch skimming
- Pan protection safety cut-out thermostat
- Millivolt gas valve system (no electrical supply)
- Flame failure protection on pilot
- Piezo ignition to standing pilot burner

#### CLEANING AND SERVICING

- Open stainless steel pan for easy clean
- Hinged basket drain tray
- Removable basket support grid
- 25mm (1") drain valve for effective draining
- Easy clean stainless steel exterior
- Access to all parts from front of unit

#### Matching Products



CW2H

CSP6

CN4

CT9

CW3H

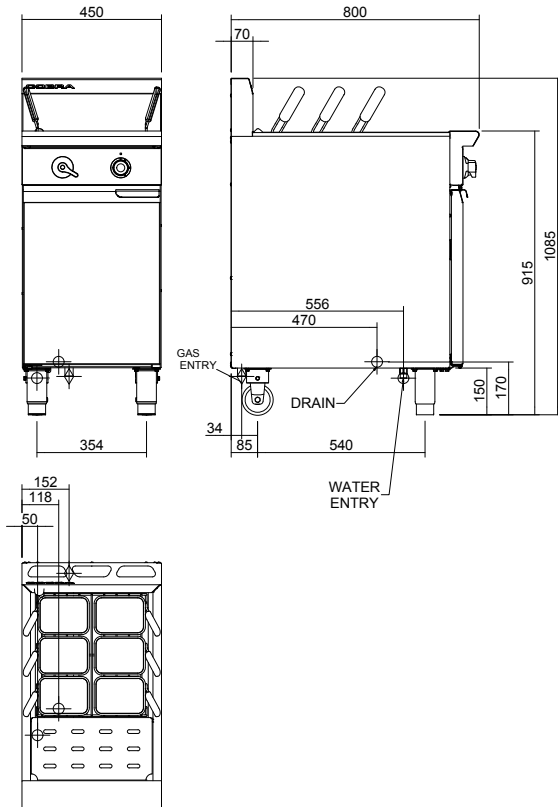
CW1H

C6B

CR9D

## CP4

### 450mm Single Pan Gas Pasta Cooker



CP4

#### SPECIFICATIONS

**Pan size**  
 Water capacity 40L  
 Width 365mm  
 Length 405mm  
 Basket immersion depth 165mm

**Baskets**  
 6 stainless steel perforated baskets with moulded plastic handles  
 125mm x 165mm x 180mm deep  
 Stainless steel wire basket support grid

**Burners**  
 1 x infra-red burner

**Gas power (gross)**  
 47MJ/hr, 13kW Natural gas  
 46MJ/hr, 12.8kW LP gas

**Gas connection**  
 R 3/4 (BSP) male  
 50mm from left hand side,  
 34mm from rear and  
 140mm from floor

**Water connection**  
 Cold water connection 50mm  
 from left hand side, 556mm  
 from rear and 140mm from floor  
 R1/2 (BSP) male

**Drain connection**  
 Drain must be connected to  
 system suitable for boiling  
 water discharge 1" BSP Male  
 connection 118mm from  
 left hand side, 470mm from rear,  
 and 170mm from floor

**Dimensions**  
 Width 450mm  
 Depth 800mm  
 Height 915mm  
 Incl. splashback 1085mm

**Nett weight**  
 78kg

**Packing data**  
 0.587m<sup>3</sup>, 95.5kg  
 Width 900mm  
 Depth 520mm  
 Height 1255mm

**Gas types**  
 Available in Natural gas and  
 LP gas, please specify when  
 ordering  
 Other gas types on request

**Options**  
 Side splash guards  
 Joining caps



Cert. No. AGA 7027G

moffat.com.au  
 moffat.co.nz

Australia  
 moffat.com.au

Moffat Pty Limited

Victoria/Tasmania  
 740 Springvale Road  
 Mulgrave, Victoria 3170  
 Telephone +613-9518 3888  
 Facsimile +613-9518 3833  
 vsales@moffat.com.au

New South Wales  
 Telephone +612-8833 4111  
 nswsales@moffat.com.au

South Australia  
 Telephone +613-9518 3888  
 vsales@moffat.com.au

Queensland  
 Telephone +617-3630 8600  
 qldsales@moffat.com.au

Western Australia  
 Telephone +618-9413 2400  
 wasales@moffat.com.au

New Zealand  
 moffat.co.nz

Moffat Limited

Rolleston  
 45 Illinois Drive  
 Izone Business Hub  
 Rolleston 7675  
 Telephone +64 3-983 6600  
 Facsimile +64 3-983 6660  
 sales@moffat.co.nz

Auckland  
 Telephone +64 9-574 3150  
 sales@moffat.co.nz



ISO9001  
 Quality  
 Management  
 Standard

Designed and manufactured by



ISO9001  
 All Cobra products are designed and  
 manufactured by Moffat using the  
 internationally recognised ISO9001  
 quality management system,  
 covering design, manufacture and  
 final inspection, ensuring consistent  
 high quality at all times.

In line with policy to continually  
 develop and improve its products,  
 Moffat Limited reserves the right  
 to change specifications and design  
 without notice.

© Copyright Moffat Ltd  
 AN.C.01.19 / 1598

an Ali Group Company



The Spirit of Excellence