

C6D-B

600mm Four Burner Gas Cooktop Bench Model



C6D-B

- Countertop Bench Model
- 600mm wide
- 4 open burners
- 22MJ open burner rating
- Flame failure standard on open burners
- Optional pilot and flame failure on open burners
- Cast iron burners and vitreous enamel potstands
- Adjustable bench feet
- Stainless steel finish

Also Available



C6B-B



C6C-B

OVERALL CONSTRUCTION

- Cast iron open burner heads with vitreous enamelled cast iron caps
- Vitreous enamelled potstands
- Vitreous enamelled control panel
- Stainless steel front, sides and splashback
- Stainless steel spill tray
- 63mm dia. stainless steel adjustable bench feet

CONTROLS

- Large easy use control knobs
- Variable high to low controls to open burners
- Flame failure standard on open burners
- Optional pilot and flame failure on open burners

CLEANING AND SERVICING

- Easy clean stainless steel exterior
- Vitreous enamelled potstands and burner caps
- Lift off open burner caps and removable burners
- Removable spill trays
- Access to all parts from front of unit

Matching Products



CW2H



CSP6



CN4



CT9



CW3H



CW1H



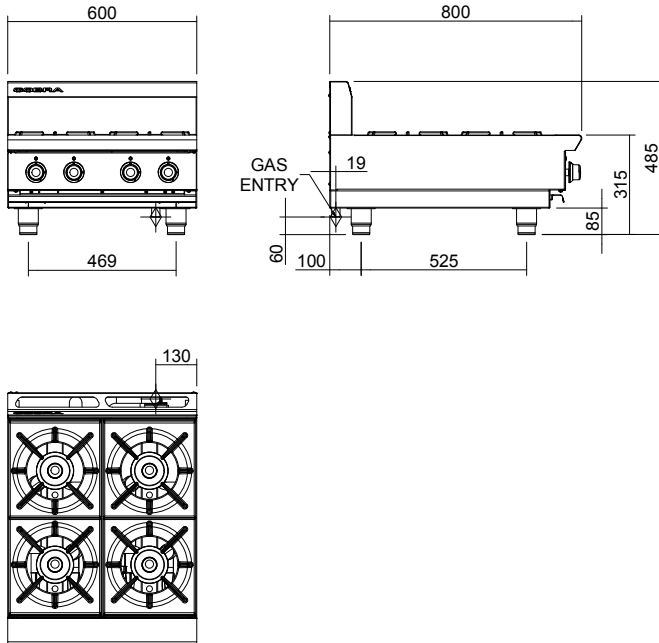
CP4



CS9 / C900-S

C6D-B

600mm Four Burner Gas Cooktop Bench Model



C6D-B

SPECIFICATIONS

Burners
Open Burners;
22MJ/hr, 5.5kW each

Gas power (gross)
C6D 88MJ/hr, 22kW

Gas connection
R 3/4 (BSP) male
130mm from RH side, 20mm from rear, and 60mm from bench

Dimensions
Width 600mm
Depth 800mm
Height 315mm
Incl. splashback 485mm
Nett weight
52.5kg

Packing data
0.51m³, 80.5kg
Width 710mm
Depth 955mm
Height 750mm

Gas types
Available in Natural gas and LP gas,
please specify when ordering
Other gas types on request

moffat.com.au
moffat.co.nz

Australia
moffat.com.au

Moffat Pty Limited

Victoria/Tasmania
740 Springvale Road
Mulgrave, Victoria 3170
Telephone +613-9518 3888
Facsimile +613-9518 3833
vsales@moffat.com.au

New South Wales
Telephone +612-8833 4111
nswsales@moffat.com.au

South Australia
Telephone +613-9518 3888
vsales@moffat.com.au

Queensland
Telephone +617-3630 8600
qldsales@moffat.com.au

Western Australia
Telephone +618-9413 2400
wasales@moffat.com.au

New Zealand
moffat.co.nz

Moffat Limited

Rolleston
45 Illinois Drive
Izone Business Hub
Rolleston 7675
Telephone +64 3-983 6600
Facsimile +64 3-983 6660
sales@moffat.co.nz

Auckland
Telephone +64 9-574 3150
sales@moffat.co.nz



Designed and manufactured by



ISO9001
All Cobra products are designed and manufactured by Moffat using the internationally recognised ISO9001 quality management system, covering design, manufacture and final inspection, ensuring consistent high quality at all times.

In line with policy to continually develop and improve its products, Moffat Limited reserves the right to change specifications and design without notice.

© Copyright Moffat Ltd
AN.C.01.19 / 1598



Cert. No. AGA 7225G

an Ali Group Company



The Spirit of Excellence