

C3D-W

305mm Two Burner Wok End Gas Cooktop



C3D-W

- 305mm wide
- 2 open burners
- 22MJ open burner rating
- Flame failure standard on open burners
- Optional pilot and flame failure on open burners
- Cast iron burners and vitreous enamel potstands
- Stainless steel finish
- Fully modular

Modular fitment to LH or RH ends of Cobra Wok Cookers



OVERALL CONSTRUCTION

- Cast iron open burner heads with vitreous enamelled cast iron caps
- Vitreous enamelled potstands
- Vitreous enamelled control panel
- Stainless steel front, sides and splashback
- Stainless steel spill tray

CLEANING AND SERVICING

- Easy clean stainless steel exterior
- Vitreous enamelled potstands and burner caps
- Lift off open burner caps and removable burners
- Removable spill tray
- Access to all parts from front of unit

CONTROLS

- Large easy use control knobs
- Variable high to low controls to open burners
- Flame failure standard on open burners
- Optional pilot and flame failure on open burners

Matching Products



CW2H



CSP6



CN4



CT9



CW3H



CW1H



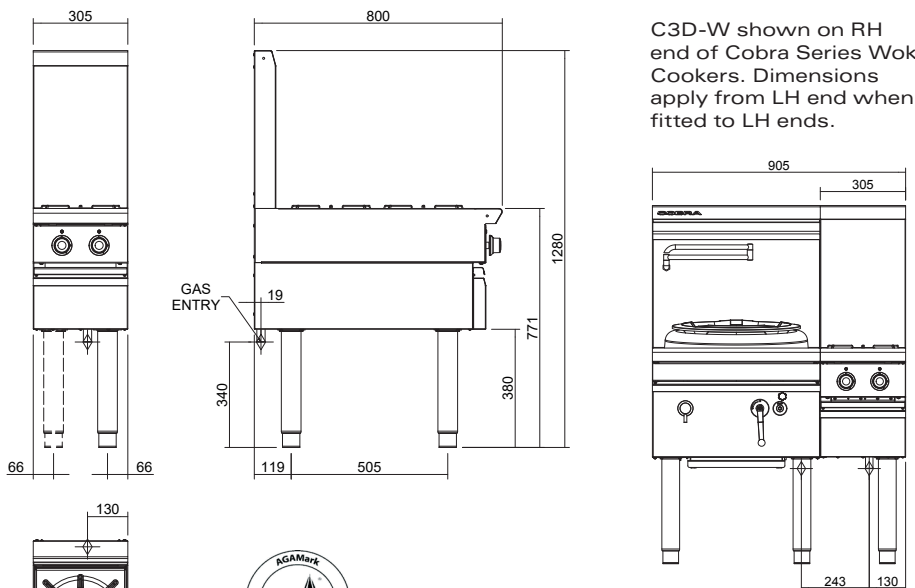
CP4



CS9 / C900-S

C3D-W

305mm Two Burner Wok End Gas Cooktop



C3D-W shown on RH end of Cobra Series Wok Cookers. Dimensions apply from LH end when fitted to LH ends.

moffat.com.au
moffat.co.nz

Australia
moffat.com.au

Moffat Pty Limited

Victoria/Tasmania
740 Springvale Road
Mulgrave, Victoria 3170
Telephone +613-9518 3888
Facsimile +613-9518 3833
vsales@moffat.com.au

New South Wales
Telephone +612-8833 4111
nswsales@moffat.com.au

South Australia
Telephone +613-9518 3888
vsales@moffat.com.au

Queensland
Telephone +617-3630 8600
qldsales@moffat.com.au

Western Australia
Telephone +618-9413 2400
wasales@moffat.com.au

New Zealand
moffat.co.nz

Moffat Limited

Rolleston
45 Illinois Drive
Izone Business Hub
Rolleston 7675
Telephone +64 3-983 6600
Facsimile +64 3-983 6660
sales@moffat.co.nz

Auckland
Telephone +64 9-574 3150
sales@moffat.co.nz



ISO9001
Quality
Management
Standard

Designed and manufactured by



ISO9001
All Cobra products are designed and manufactured by Moffat using the internationally recognised ISO9001 quality management system, covering design, manufacture and final inspection, ensuring consistent high quality at all times.

In line with policy to continually develop and improve its products, Moffat Limited reserves the right to change specifications and design without notice.

© Copyright Moffat Ltd
AN.C.S.01.20

C3D-W

SPECIFICATIONS

Burners

Open Burners; 22MJ/hr, 5.5kW each

Gas power (gross); C3D-W 44MJ/hr, 11kW

Gas connection

R 3/4 (BSP) male;

130mm from RH side,

20mm from rear, and

340mm from floor

Dimensions

Width 305mm

Depth 800mm

Height 771mm

Incl. splashback 1280mm

Nett weight

32kg

Packing data

0.37m³, 60kg

Width 345mm

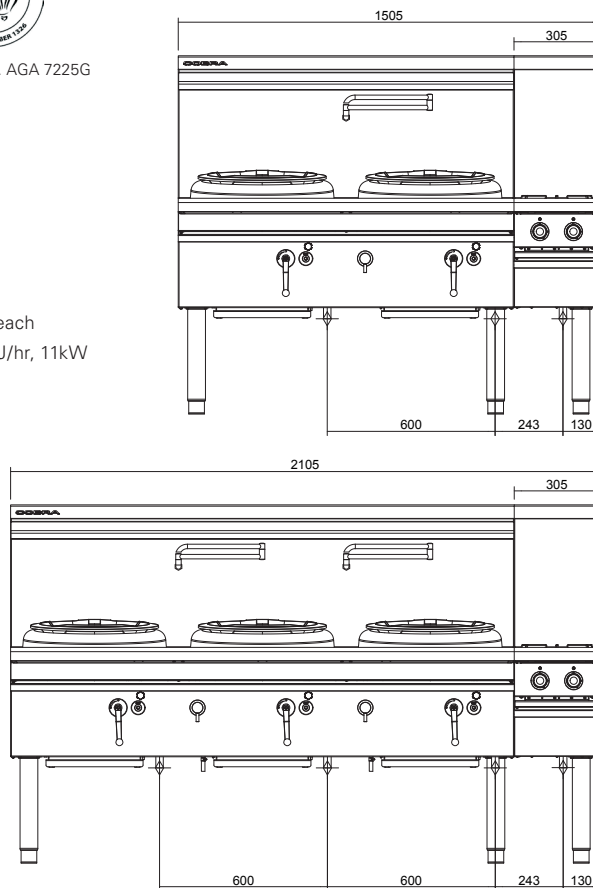
Depth 860mm

Height 1255mm

Gas types

Available in Natural gas and LP gas, please specify when ordering

Other gas types on request



an Ali Group Company