

C3C-B

305mm Griddle Gas Cooktop Bench Model



C3C-B

- Countertop Bench Model
- 305mm wide
- 1 griddle burner with pilot, flame failure and piezo ignition
- Machine finished griddle plate 12mm thickness
- Adjustable bench feet
- Stainless steel finish

Also Available



C3D-B

OVERALL CONSTRUCTION

- 12mm machined surface mild steel griddle plate
- Stainless steel front, sides and splashback
- Vitreous enamelled control panel
- Stainless steel spill tray
- 63mm dia. stainless steel adjustable bench feet

CLEANING AND SERVICING

- Easy clean stainless steel exterior
- Stainless steel grease tray
- Access to all parts from front of unit

CONTROLS

- Large easy use control knob
- Variable high to low control to griddle burner
- Standard with pilot, flame failure and piezo ignition

Matching Products



CW2H



CSP6



CN4



CT9



CW3H



CW1H



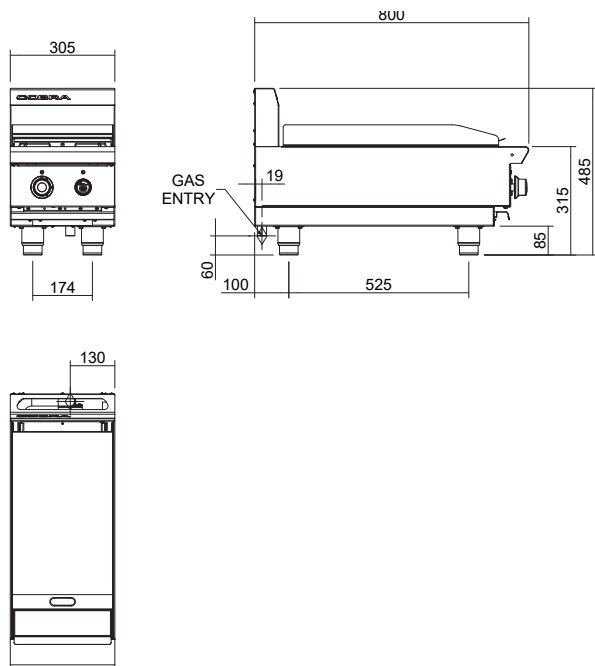
CP4



CS9 / C900-S

C3C-B

305mm Griddle Gas Cooktop Bench Model



C3C-B

SPECIFICATIONS

Burners

Gas power (gross)
20MJ/hr, 5kW

Gas connection
R 3/4 (BSP) male
130mm from RH side, 20mm from
rear, and 60mm from bench

Dimensions

Width 305mm
Depth 800mm
Height 315mm
Incl. splashback 485mm

Nett weight
32kg

Packing data

0.20m³, 55kg
Width 345mm
Depth 860mm
Height 665mm

Gas types

Available in Natural gas and LP gas,
please specify when ordering
Other gas types on request

moffat.com.au
moffat.co.nz

Australia
moffat.com.au

Moffat Pty Limited

Victoria/Tasmania
740 Springvale Road
Mulgrave, Victoria 3170
Telephone +613-9518 3888
Facsimile +613-9518 3833
vsales@moffat.com.au

New South Wales
Telephone +612-8833 4111
nswsales@moffat.com.au

South Australia
Telephone +613-9518 3888
vsales@moffat.com.au

Queensland
Telephone +617-3630 8600
qldsales@moffat.com.au

Western Australia
Telephone +618-9413 2400
wasales@moffat.com.au

New Zealand

moffat.co.nz

Moffat Limited

Rolleston
45 Illinois Drive
Izone Business Hub
Rolleston 7675
Telephone +64 3-983 6600
Facsimile +64 3-983 6660
sales@moffat.co.nz

Auckland
Telephone +64 9-574 3150
sales@moffat.co.nz



ISO9001
Quality
Management
Standard

Designed and manufactured by



ISO9001

All Cobra products are designed and
manufactured by Moffat using the
internationally recognised ISO9001
quality management system,
covering design, manufacture and
final inspection, ensuring consistent
high quality at all times.

In line with policy to continually
develop and improve its products,
Moffat Limited reserves the right
to change specifications and design
without notice.

© Copyright Moffat Ltd
AN.C.S.01.20



Cert. No. AGA 7225G

an Ali Group Company



The Spirit of Excellence