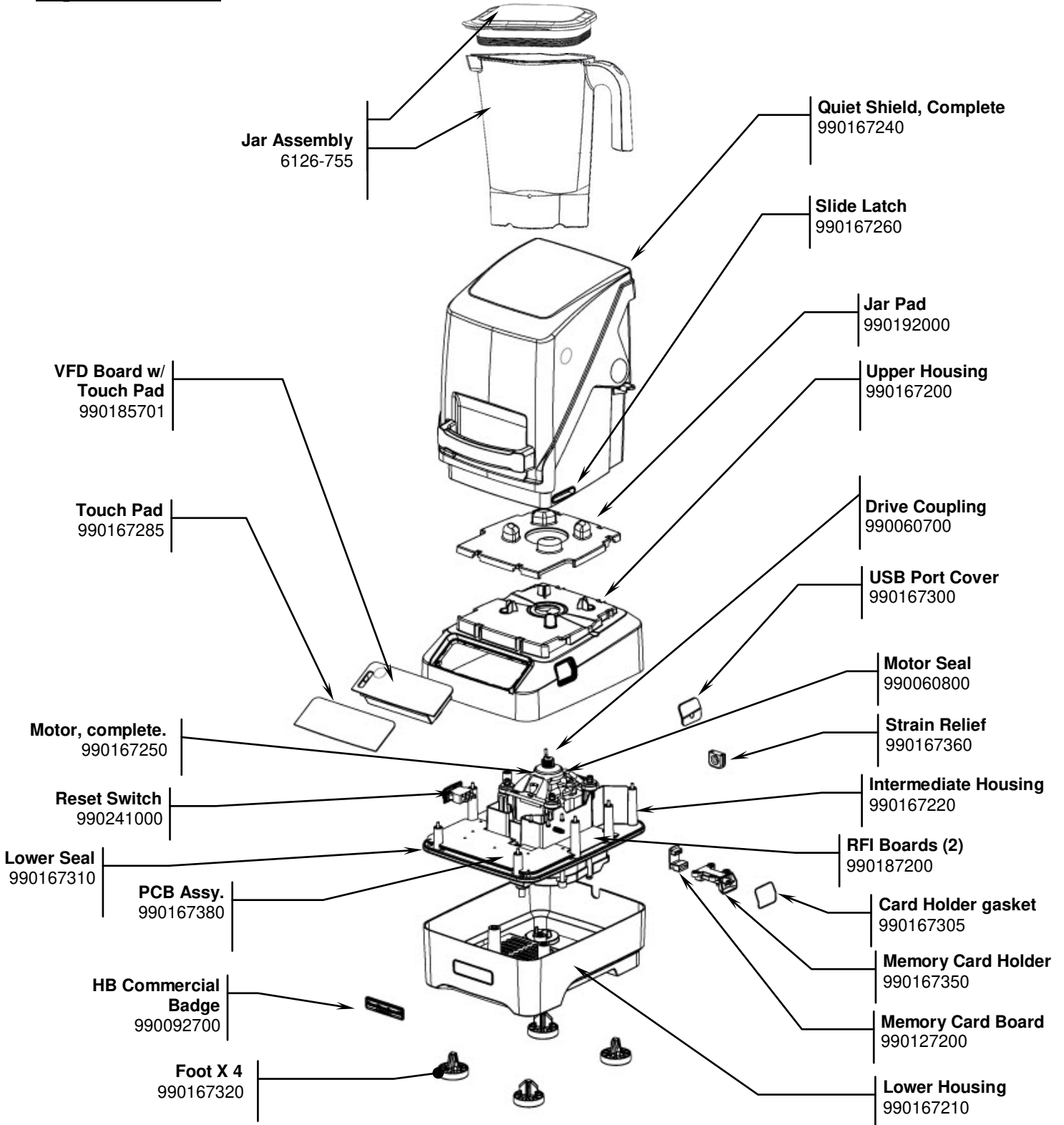



## Parts and Accessories Diagram HBH755-AU

**PROPRIETARY RIGHTS NOTICE** This document and all information contained within it is the property of Hamilton Beach Brands, Inc. (HBB). It is confidential and proprietary and has been provided to you for a limited purpose. It must be returned or destroyed upon request. Disclosure, reproduction or use of this document and any information contained within it, in full or in part, for any purpose is forbidden without the prior written consent of HBB. No photographs may be taken of any article fabricated or assembled from this document without the prior written consent of HBB.

### Replacement Parts

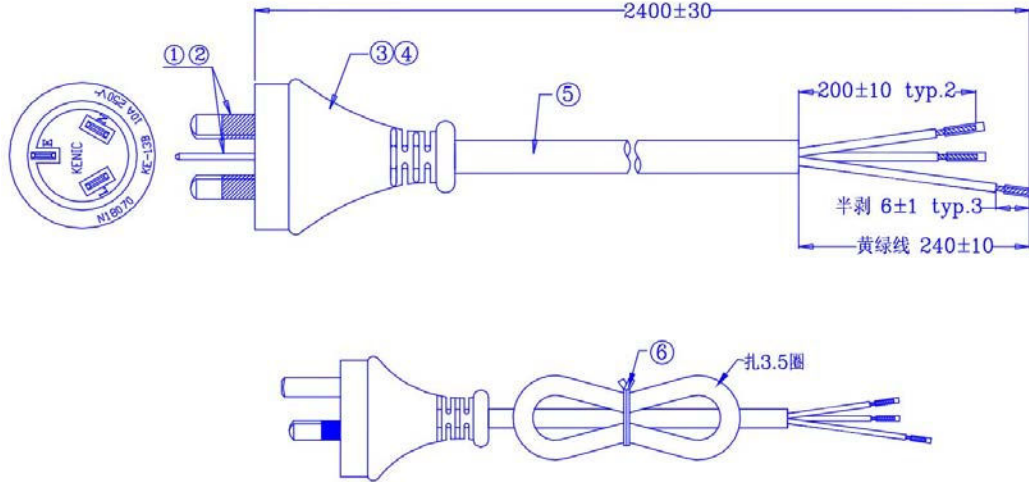


 Hamilton Beach 4421 Waterfront Drive Glen Allen, VA 23060	Revision Description:	Production Release					
	Request Number:	DOC7549	Revision Date:	03/14/2017	Approved by:	DOC7549	
	Issue Code(s):		Page:	1 of 3	Document #:	540093300	Rev:

## Parts and Accessories Diagram HBH755-AU

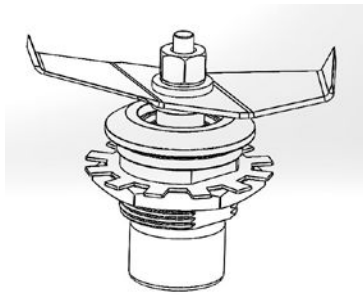
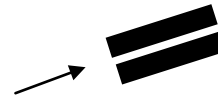
**PROPRIETARY RIGHTS NOTICE** This document and all information contained within it is the property of Hamilton Beach Brands, Inc. (HBB). It is confidential and proprietary and has been provided to you for a limited purpose. It must be returned or destroyed upon request. Disclosure, reproduction or use of this document and any information contained within it, in full or in part, for any purpose is forbidden without the prior written consent of HBB. No photographs may be taken of any article fabricated or assembled from this document without the prior written consent of HBB.

### Replacement Parts




**Power Cord**  
990193400

**Motor brush set**  
990167235



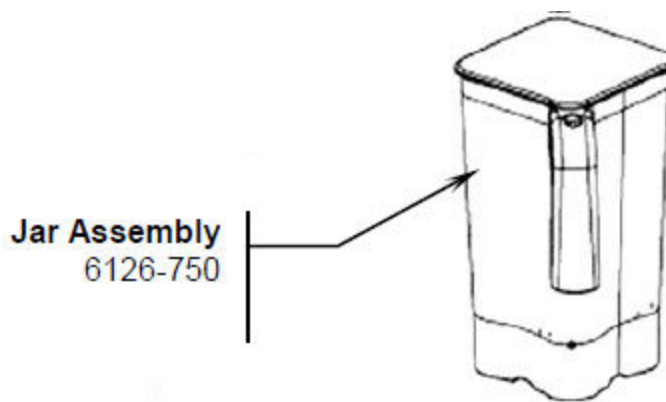
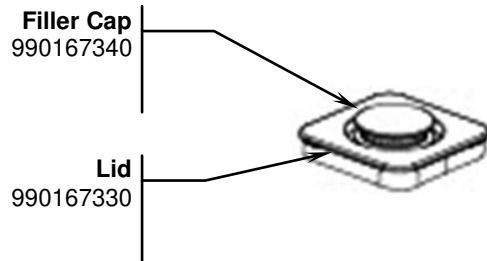
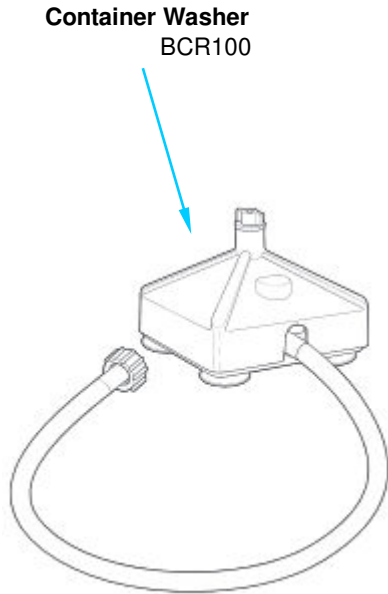
**Cutter Assembly**  
98650


 4421 Waterfront Drive Glen Allen, VA 23060	Revision Description:	Production Release					
	Request Number:	DOC7549	Revision Date:	03/14/2017	Approved by:	DOC7549	
	Issue Code(s):		Page:	2 of 3	Document #:	<b>540093300</b>	Rev:

## Parts and Accessories Diagram HBH755-CE

**PROPRIETARY RIGHTS NOTICE** This document and all information contained within it is the property of Hamilton Beach Brands, Inc. (HBB). It is confidential and proprietary and has been provided to you for a limited purpose. It must be returned or destroyed upon request. Disclosure, reproduction or use of this document and any information contained within it, in full or in part, for any purpose is forbidden without the prior written consent of HBB. No photographs may be taken of any article fabricated or assembled from this document without the prior written consent of HBB.

### Accessories



 4421 Waterfront Drive Glen Allen, VA 23060	Revision Description:	Production Release						
	Request Number:	DOC7549	Revision Date:	03/14/2017	Approved by:	DOC7549		
	Issue Code(s):		Page:	3 of 3	Document #:	<b>540093300</b>	Rev:	<b>A</b>